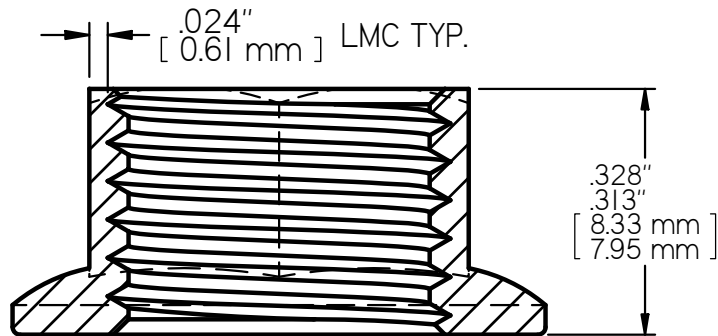
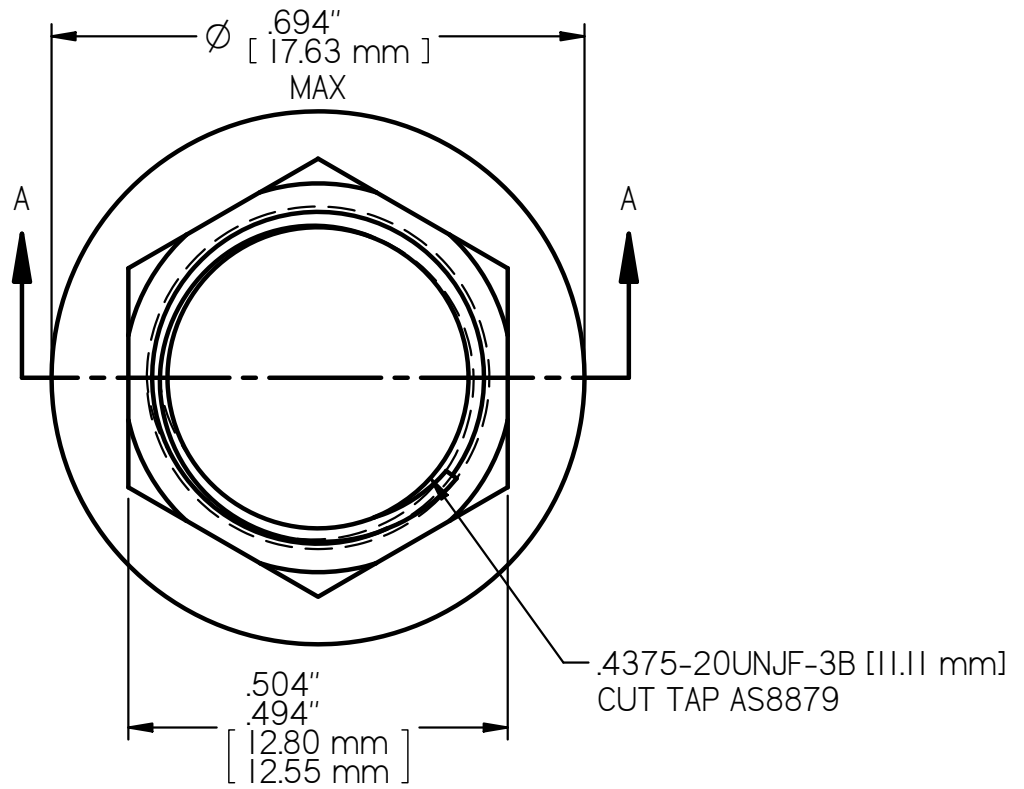


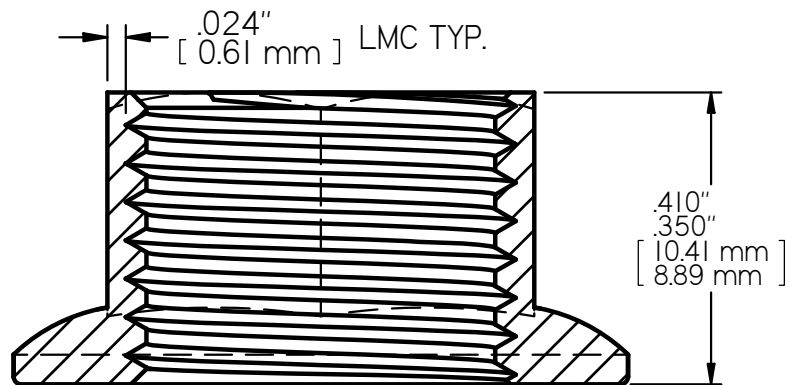
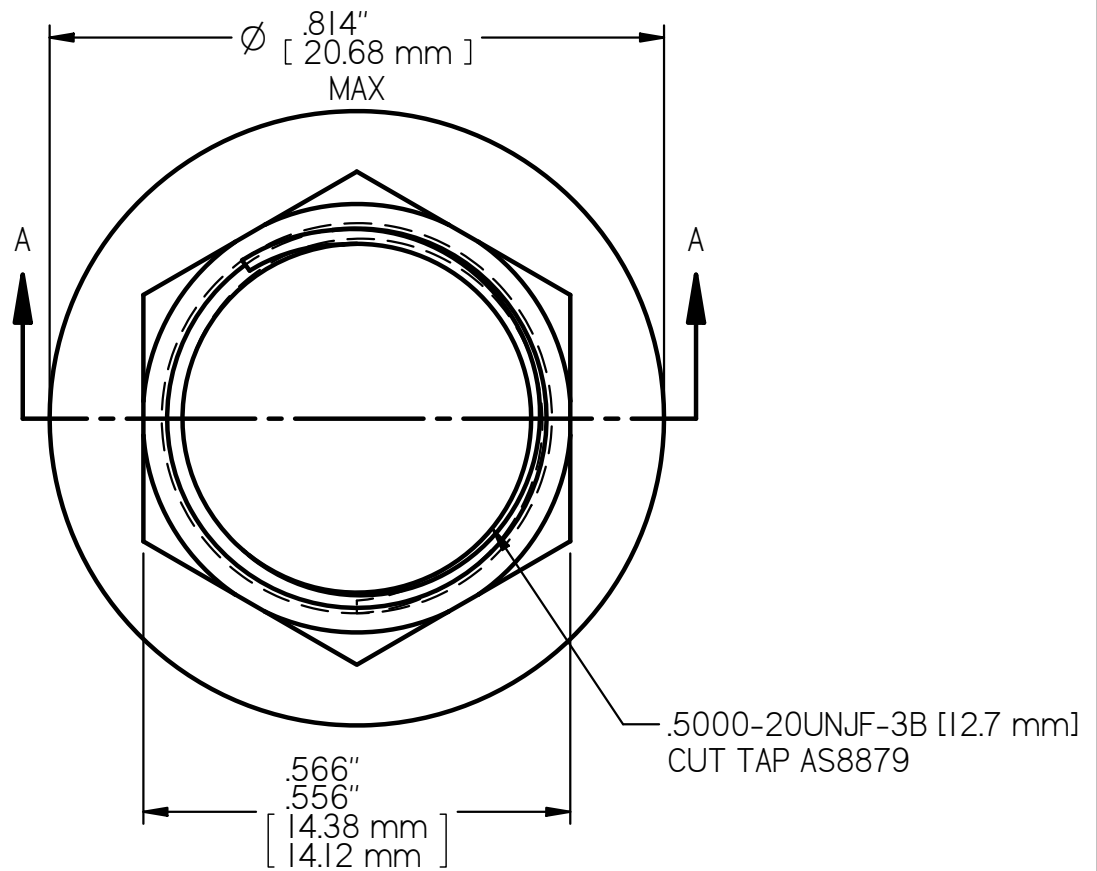
# LEAST MATERIAL CONDITION



SECTION A-A  
4X SCALE

**NAS1291-7 LOCK NUT**  
**AXIAL STRENGTH: 20,600 LBS. [91,633 N.] MIN**

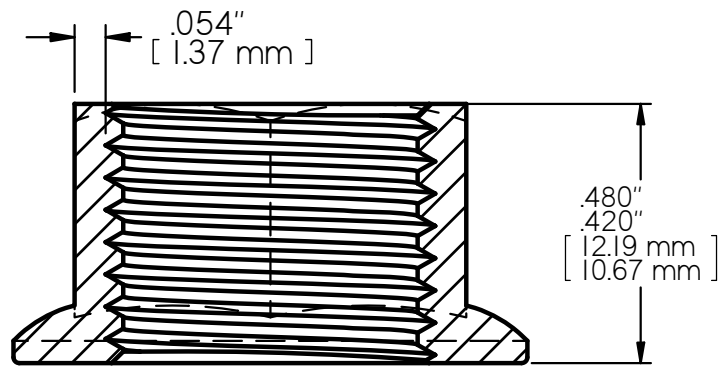
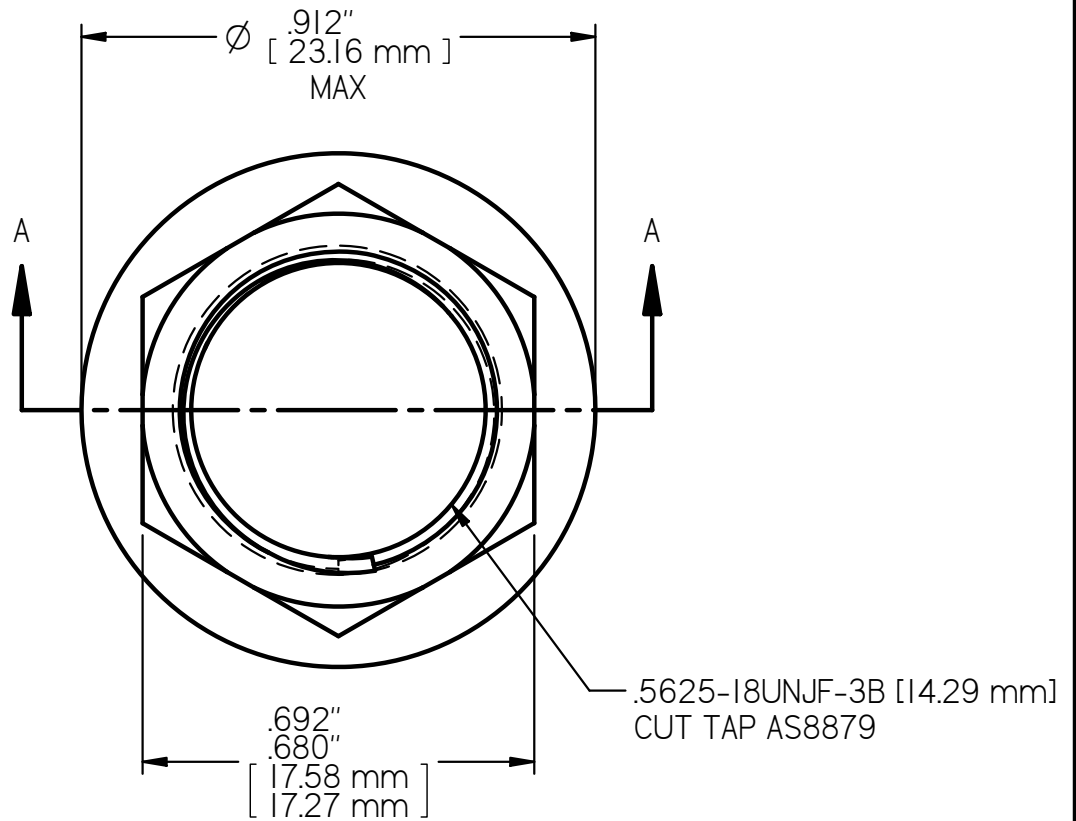
# LEAST MATERIAL CONDITION



SECTION A-A  
4X SCALE

**NAS1291-8 LOCK NUT**  
**AXIAL STRENGTH: 27,500 LBS. [122,326 N.] MIN**

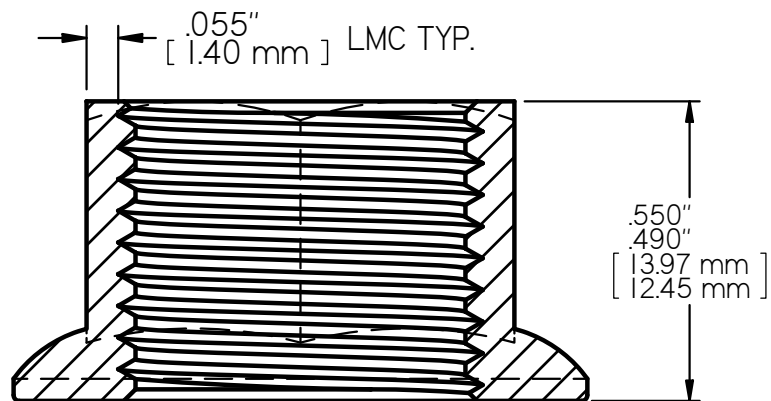
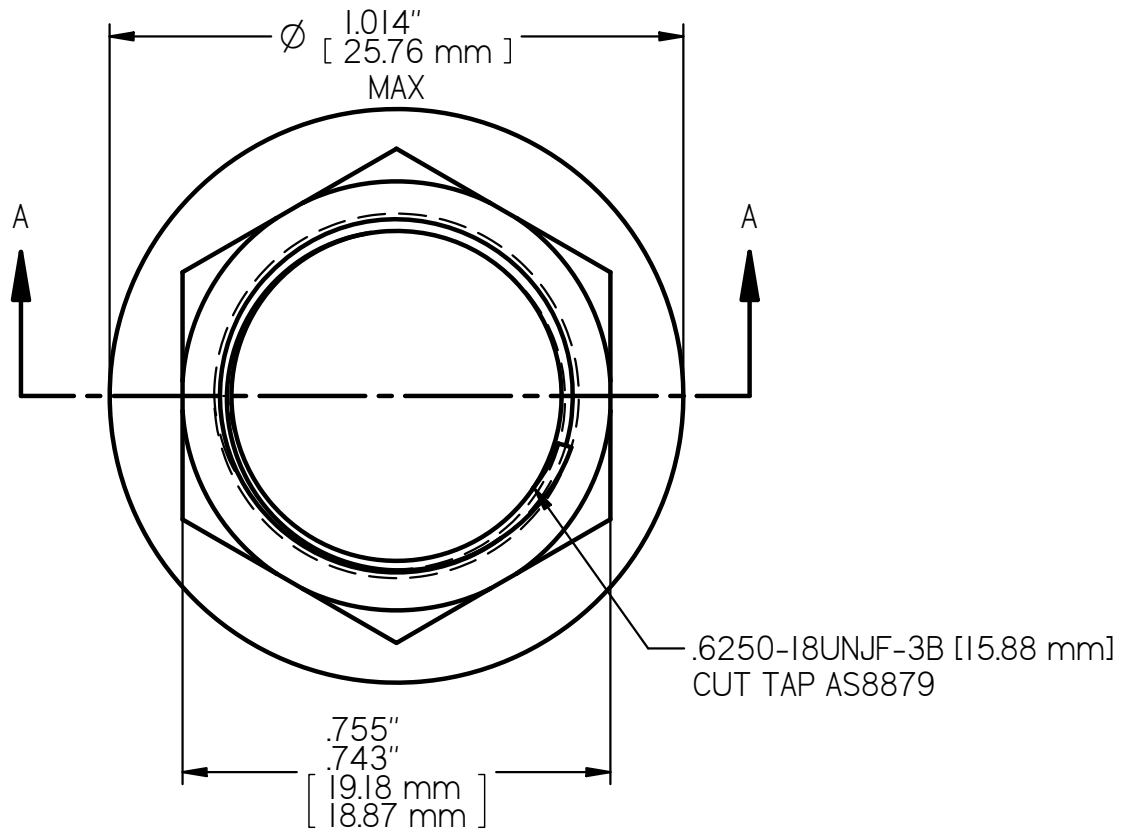
# LEAST MATERIAL CONDITION



SECTION A-A  
3X SCALE

**NAS1291-9 LOCK NUT**  
**AXIAL STRENGTH: 34,800 LBS. [154,798 N.] MIN**

# LEAST MATERIAL CONDITION



3X SCALE  
SECTION A-A

**NAS1291-10 LOCK NUT**  
**AXIAL STRENGTH: 43,600 LBS. [193,943 N.] MIN**