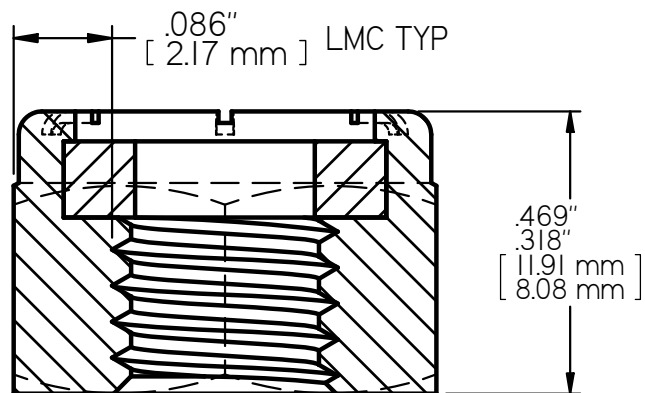
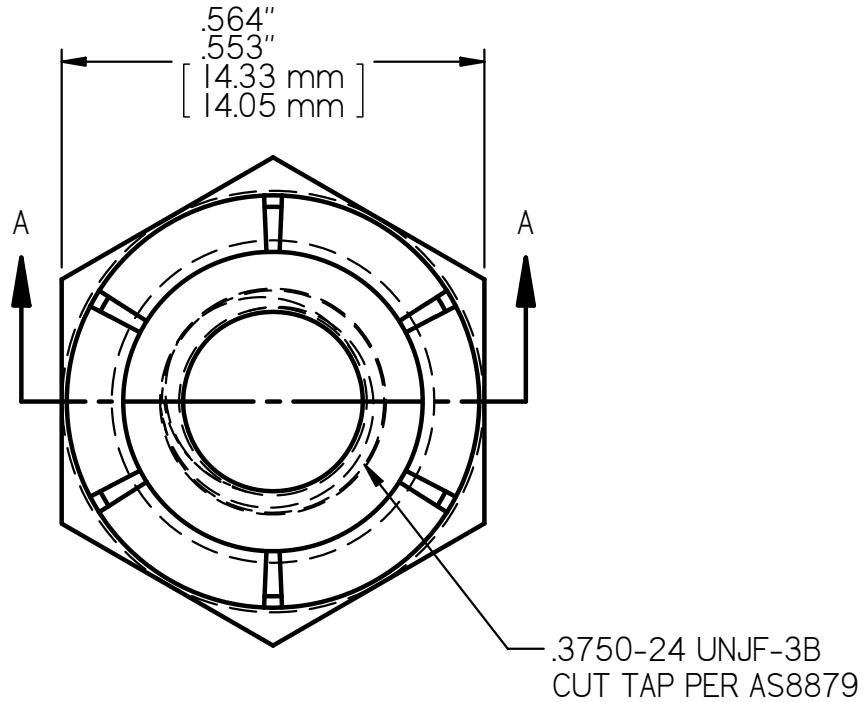


# LEAST MATERIAL CONDITION



SECTION A-A  
4X SCALE

**MS21044N6 LOCK NUT**  
**AXIAL STRENGTH: 11,450 LBS. [50,932 N.] MIN**