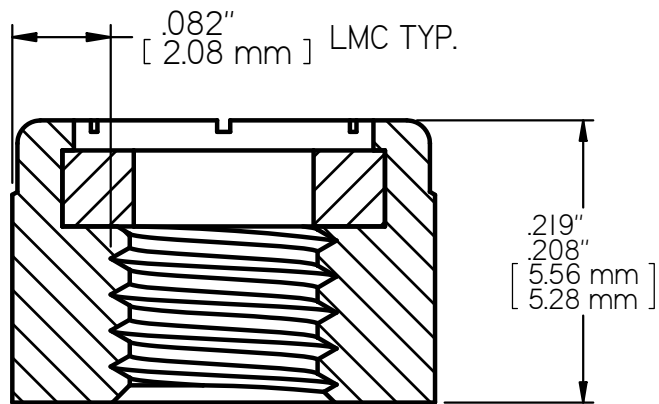
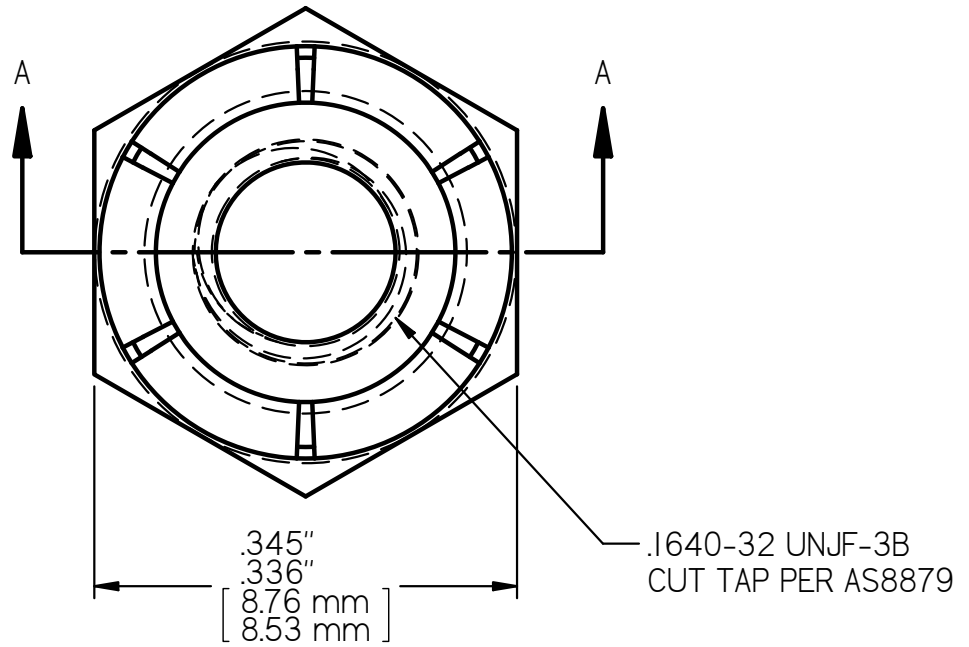


LEAST MATERIAL CONDITION



SECTION A-A
6X SCALE

MS21044N08 LOCK NUT
AXIAL STRENGTH: 1,720 LBS. [7,651 N.] MIN