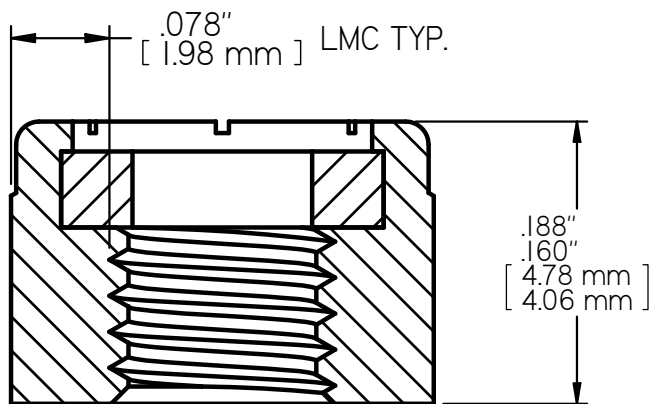
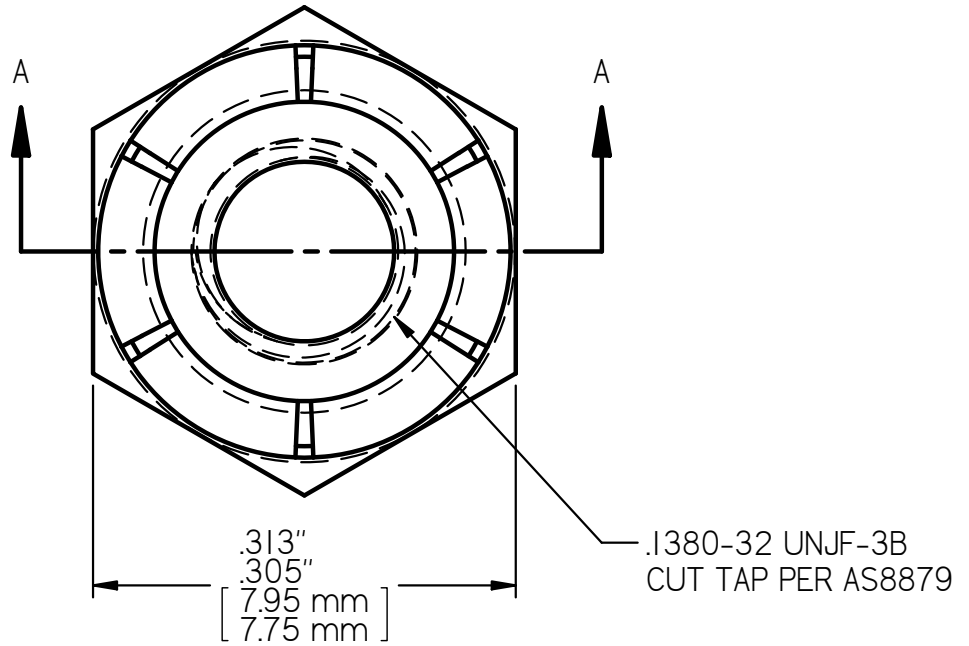


LEAST MATERIAL CONDITION



MS21044N06 LOCK NUT
AXIAL STRENGTH: 1,130 LBS. [5,026 N.] MIN