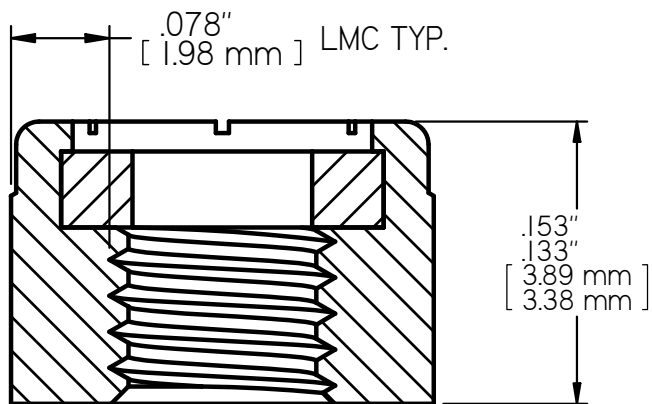
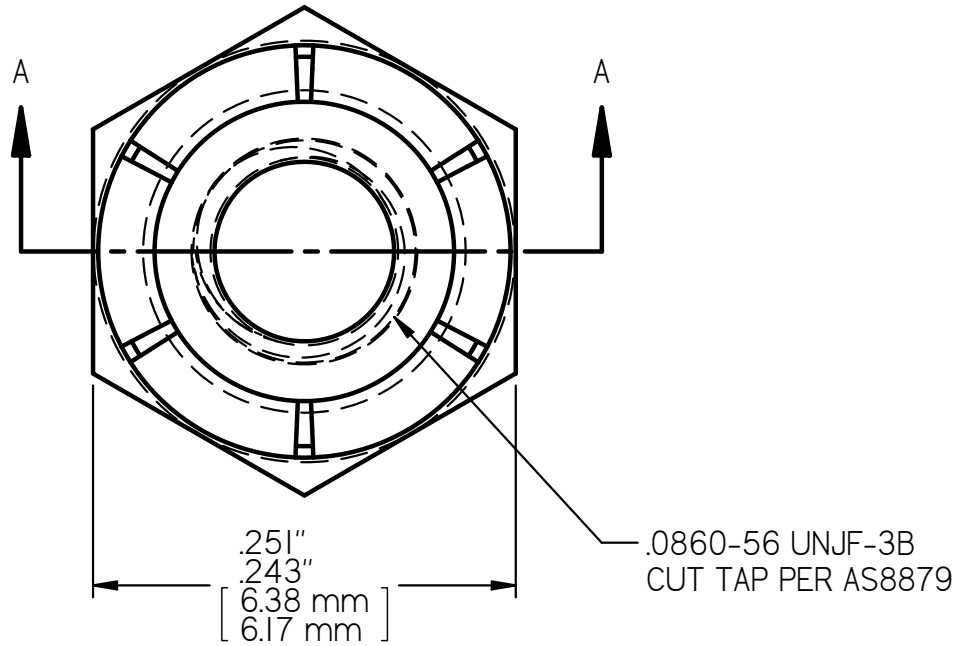


LEAST MATERIAL CONDITION



SECTION A-A
8X SCALE

MS21044N02 LOCK NUT
AXIAL STRENGTH: 440 LBS. [1,957 N.] MIN