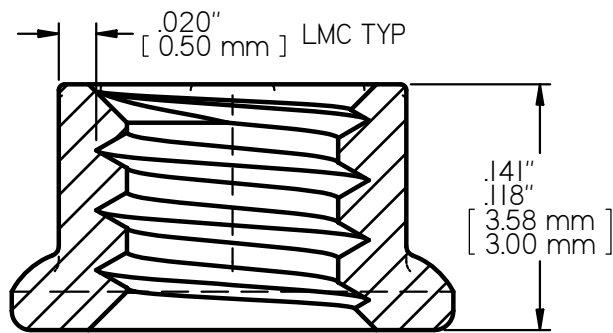
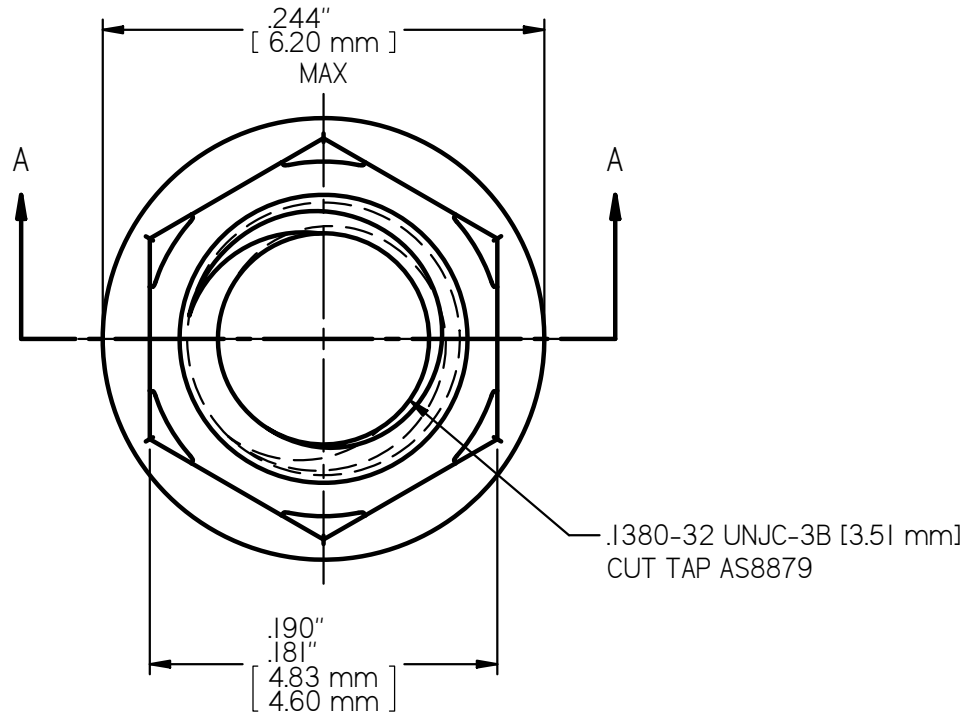


# LEAST MATERIAL CONDITION



SECTION A-A  
10X SCALE

**MS21043-06 LOCK NUT**  
**AXIAL STRENGTH: 1,150 LBS. [ $5,115 \text{ N.}$ ] MIN**