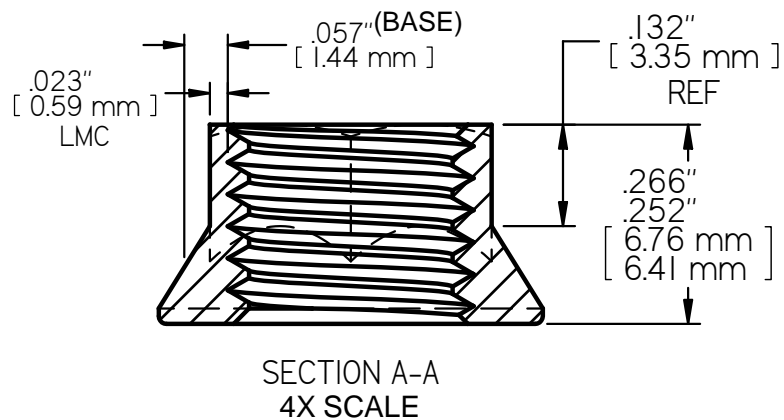
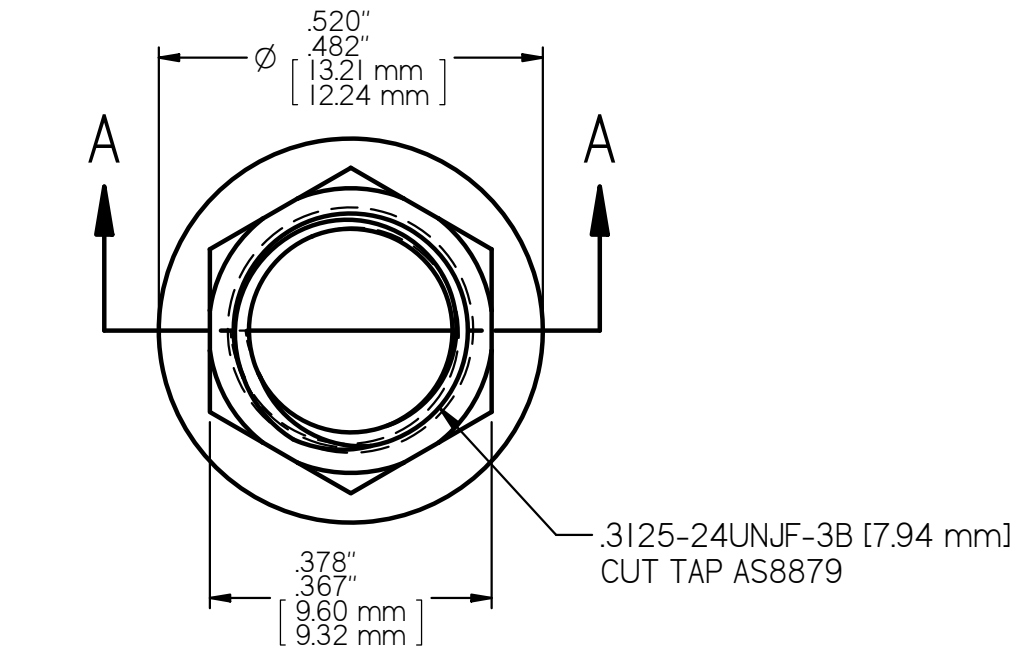


LEAST MATERIAL CONDITION



MS21042-5 LOCK NUT
STYLE "B" BELL FLANGE
AXIAL STRENGTH: 9,820 LBS. [43,682 N.] MIN