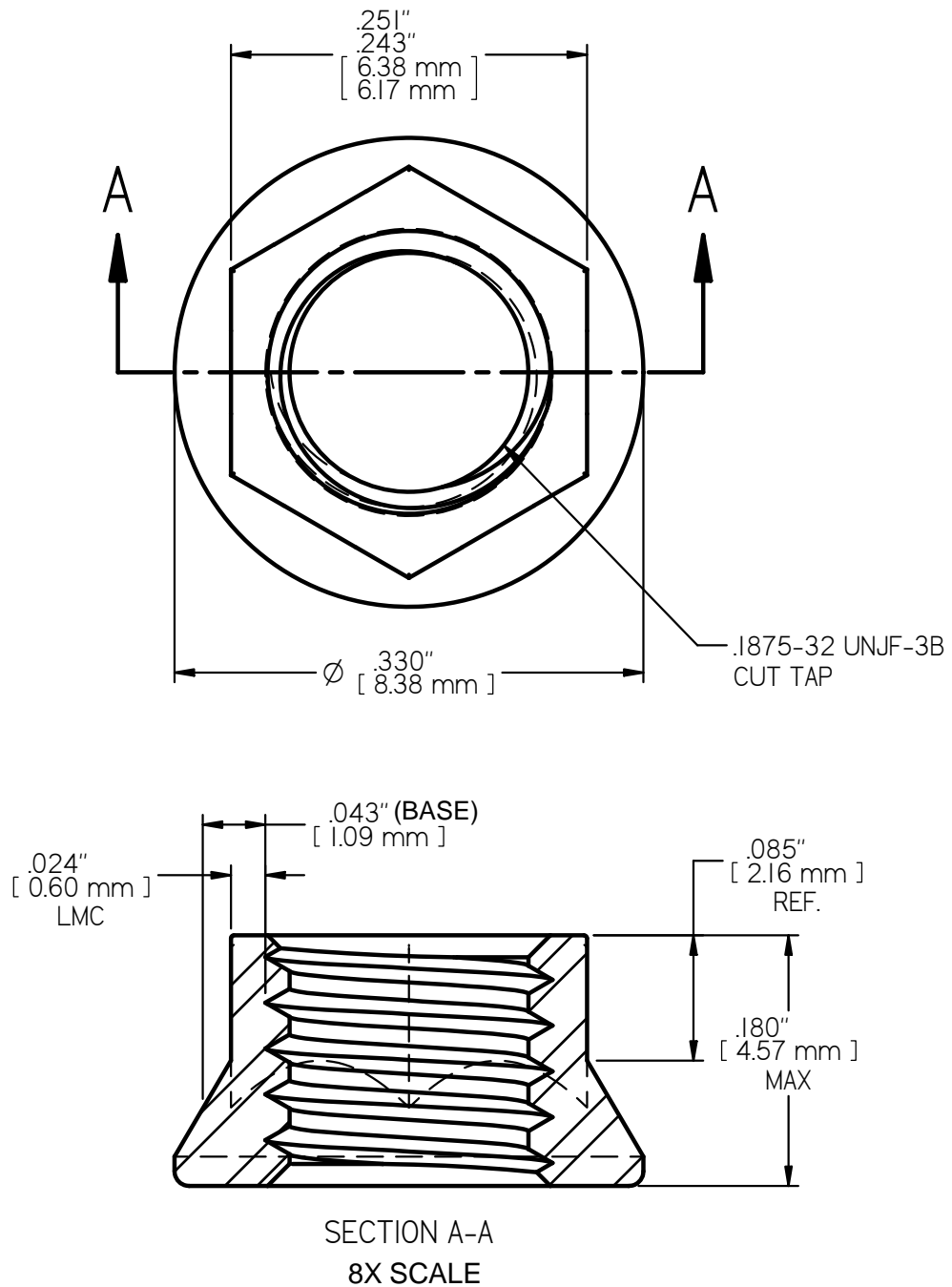


# LEAST MATERIAL CONDITION



**MS21042-3 LOCK NUT  
STYLE "B" BELL FLANGE  
AXIAL STRENGTH: 3,470 LBS. [15,435 N.] MIN**