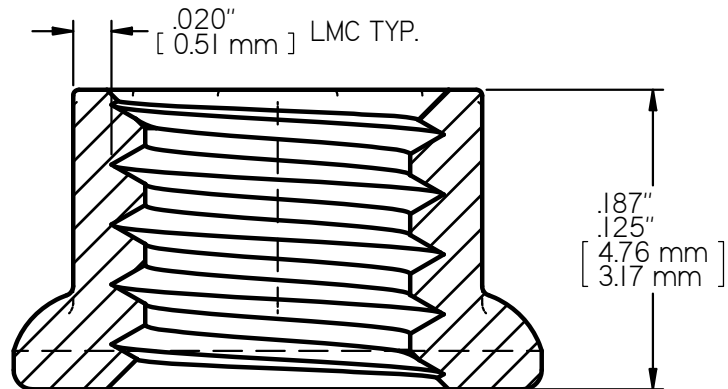
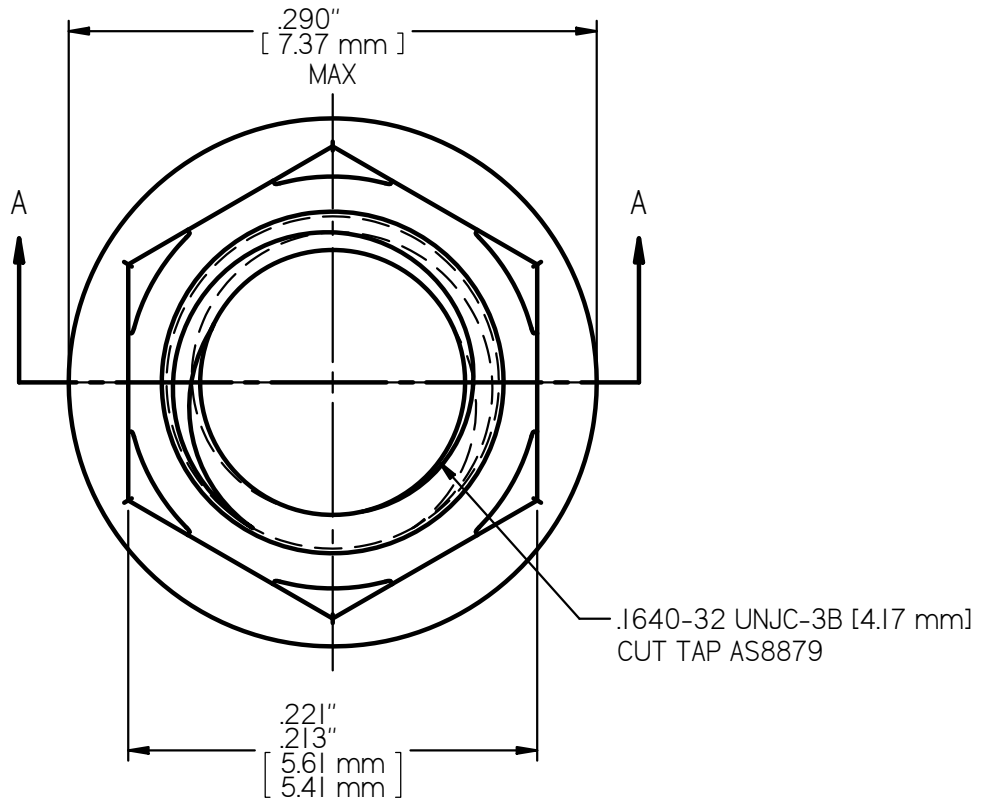


LEAST MATERIAL CONDITION



SECTION A-A
10X SCALE

MS21042-08 LOCK NUT
AXIAL STRENGTH: 2,490 LBS. [11,076 N.] MIN