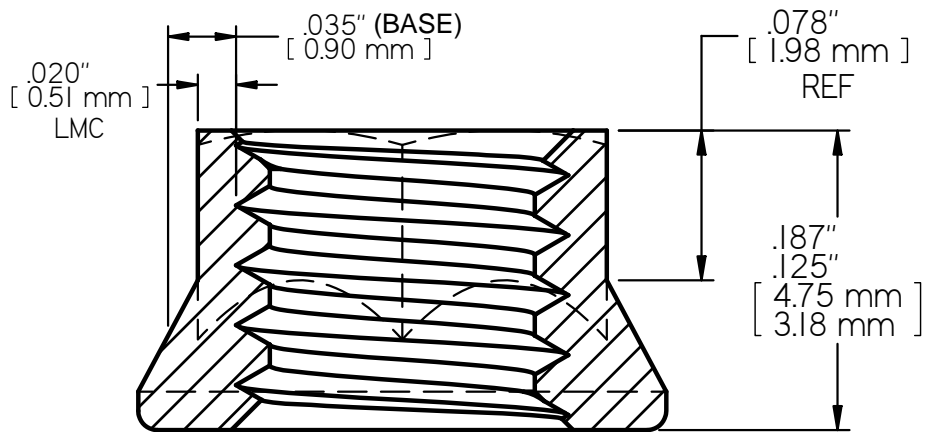
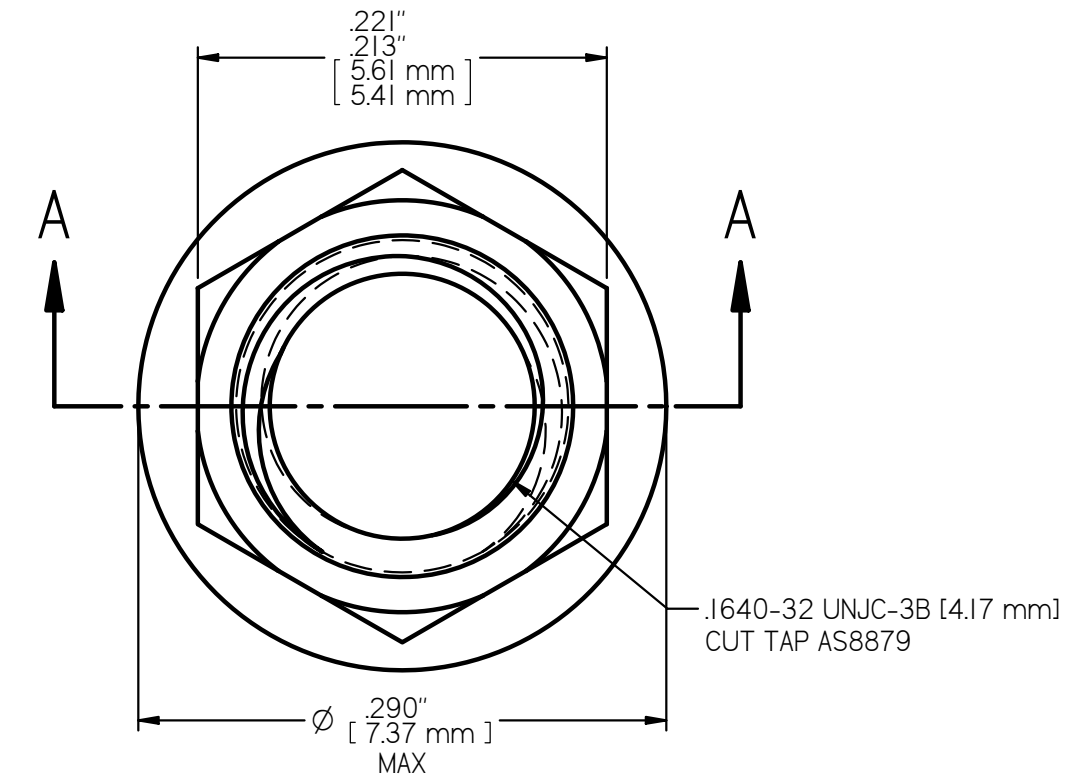


LEAST MATERIAL CONDITION



**MS21042-08 LOCK NUT
STYLE "B" BELL FLANGE
AXIAL STRENGTH: 2,490 LBS. [11,076 N.] MIN**