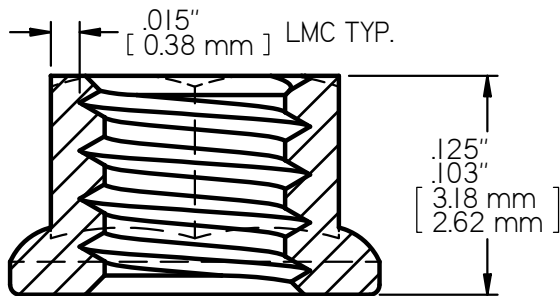
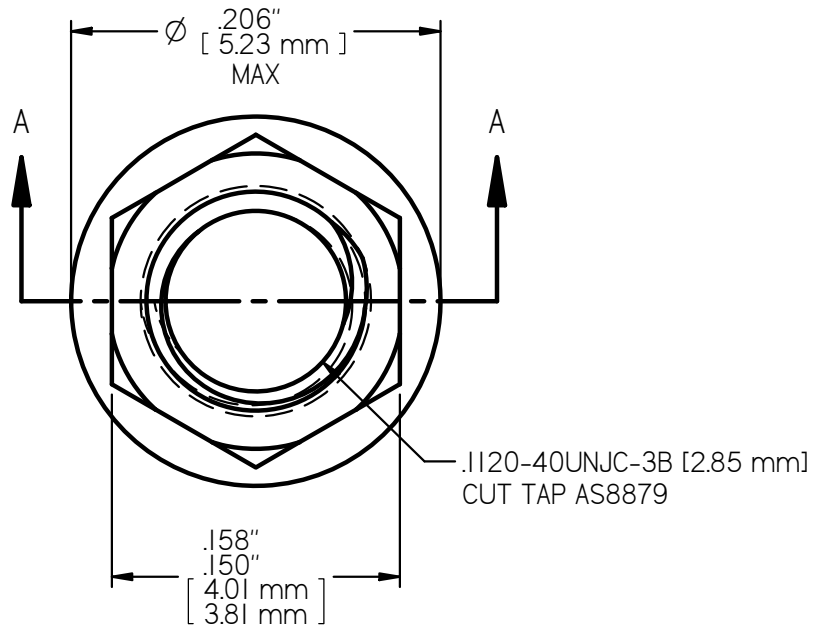


# LEAST MATERIAL CONDITION



SECTION A-A  
10X SCALE

**MS21042-04 LOCK NUT**  
**AXIAL STRENGTH: 1,110 LBS. [4,938 N.] MIN**