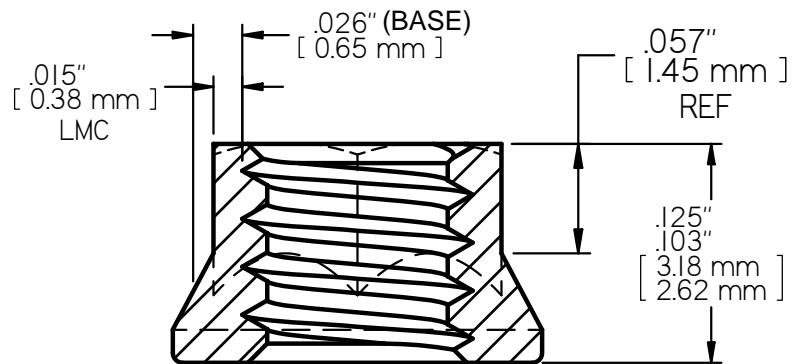
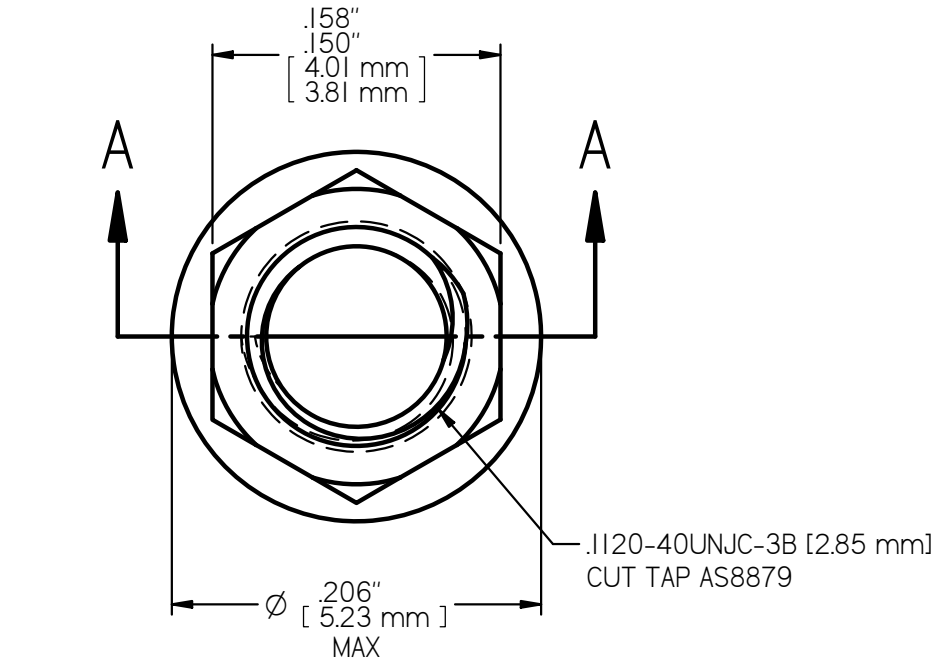


LEAST MATERIAL CONDITION



SECTION A-A
10X SCALE

**MS21042-04 LOCK NUT
STYLE "B" BELL FLANGE
AXIAL STRENGTH: 1,110 LBS. [4,938 N.] MIN**