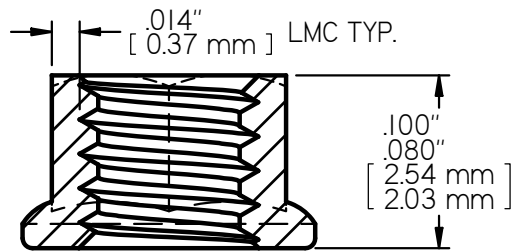
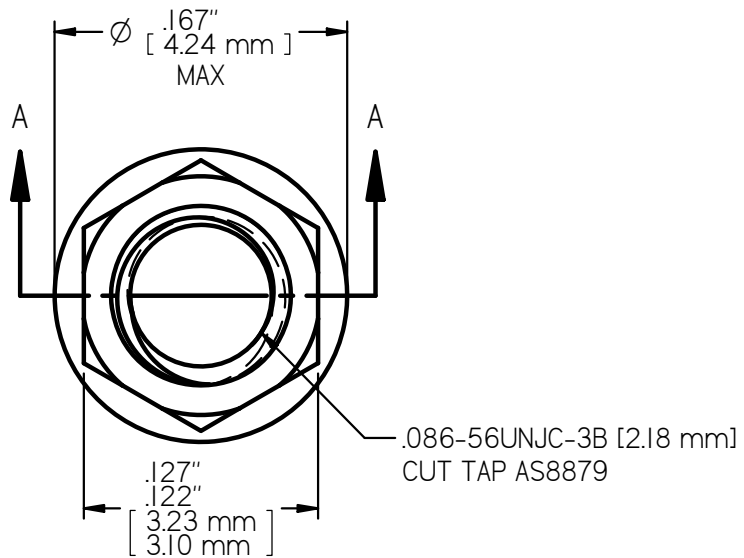


LEAST MATERIAL CONDITION



SECTION A-A

10X SCALE

MS21042-02 LOCK NUT
AXIAL STRENGTH: 660 LBS. [2,936 N.] MIN