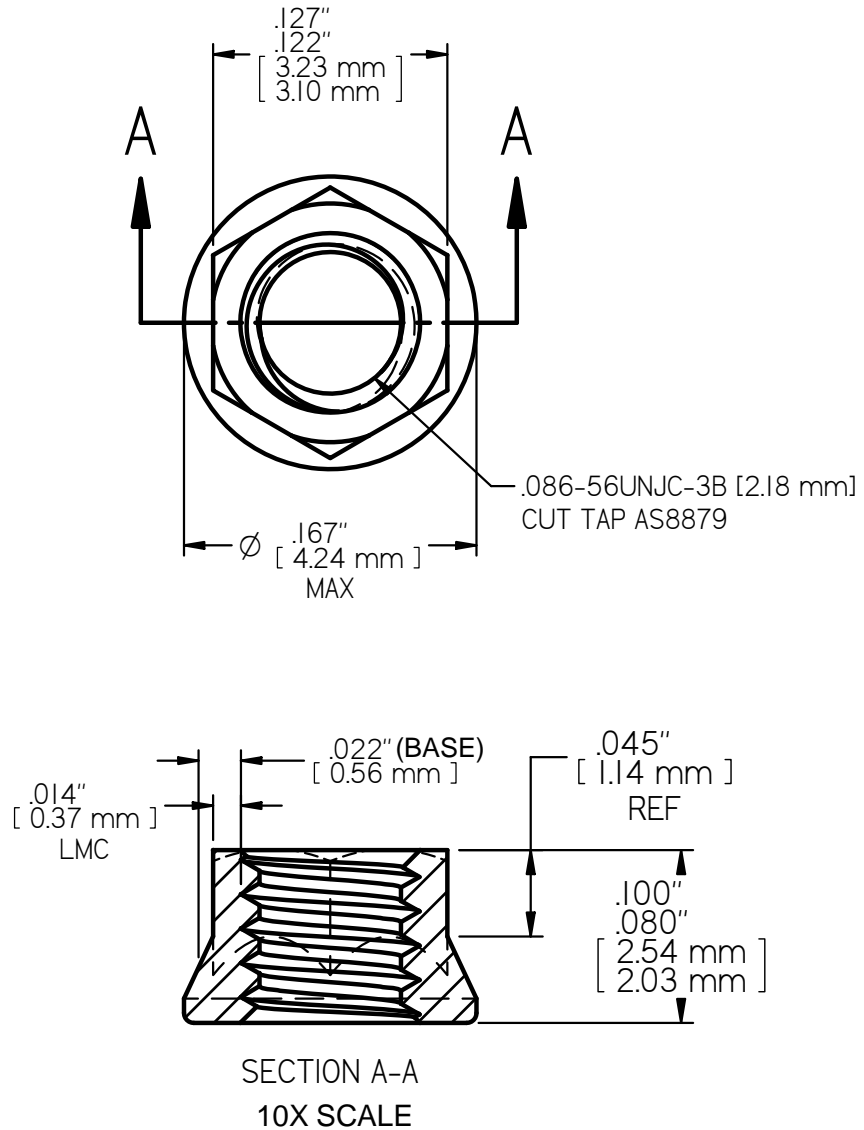


LEAST MATERIAL CONDITION



MS21042-02 LOCK NUT
STYLE "B" BELL FLANGE
AXIAL STRENGTH: 660 LBS. [2,936 N.] MIN